

# Installation Instructions

BMW M57 Bosch Engines – Bluespark Pro & CR Tech Units

**Bluespark**  
AUTOMOTIVE



This product has been designed and manufactured to work correctly with installation as described in these instructions.

Failure to follow these instructions could result in damage to property, damage to the product and or potential injury.

It is very important that you read and understand these instructions thoroughly before installing this product.

## Included Contents:

- Tuning Module
- Wiring Loom
- Fastening Ties
- Installation and User instructions
- Protective Bag For Module – (prevents damage to unit casing)

## Before installation:

1. Open the vehicle's bonnet
2. Remove the ignition key
3. Close and lock the doors
4. Wait 5 minutes before removing any electrical plugs



Do not open the vehicle doors or unlock the vehicle while installation is in progress.

## Installation Location:

The module should be installed between the vehicle's Rail and Boost Pressure sensors as shown in the diagram.

## Locating the Unit:

The unit itself should be mounted away from:



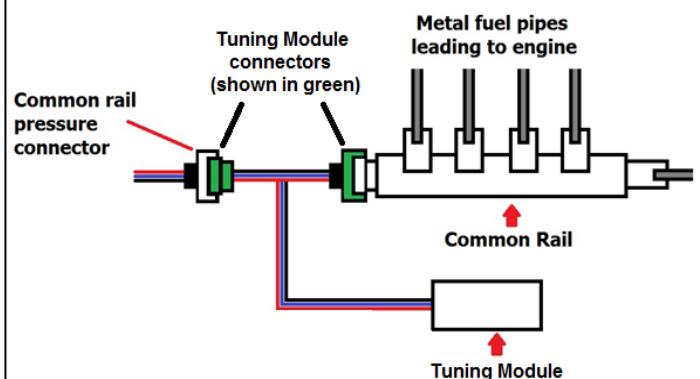
Sources of Extreme Heat



Sources of Vibration



Sources of Spray Water



**B3-B-012**

# Installation Instructions

BMW M57 Bosch Engines – Bluespark Pro & CR Tech Units

**Bluespark**  
AUTOMOTIVE

## Introduction



## Introduction

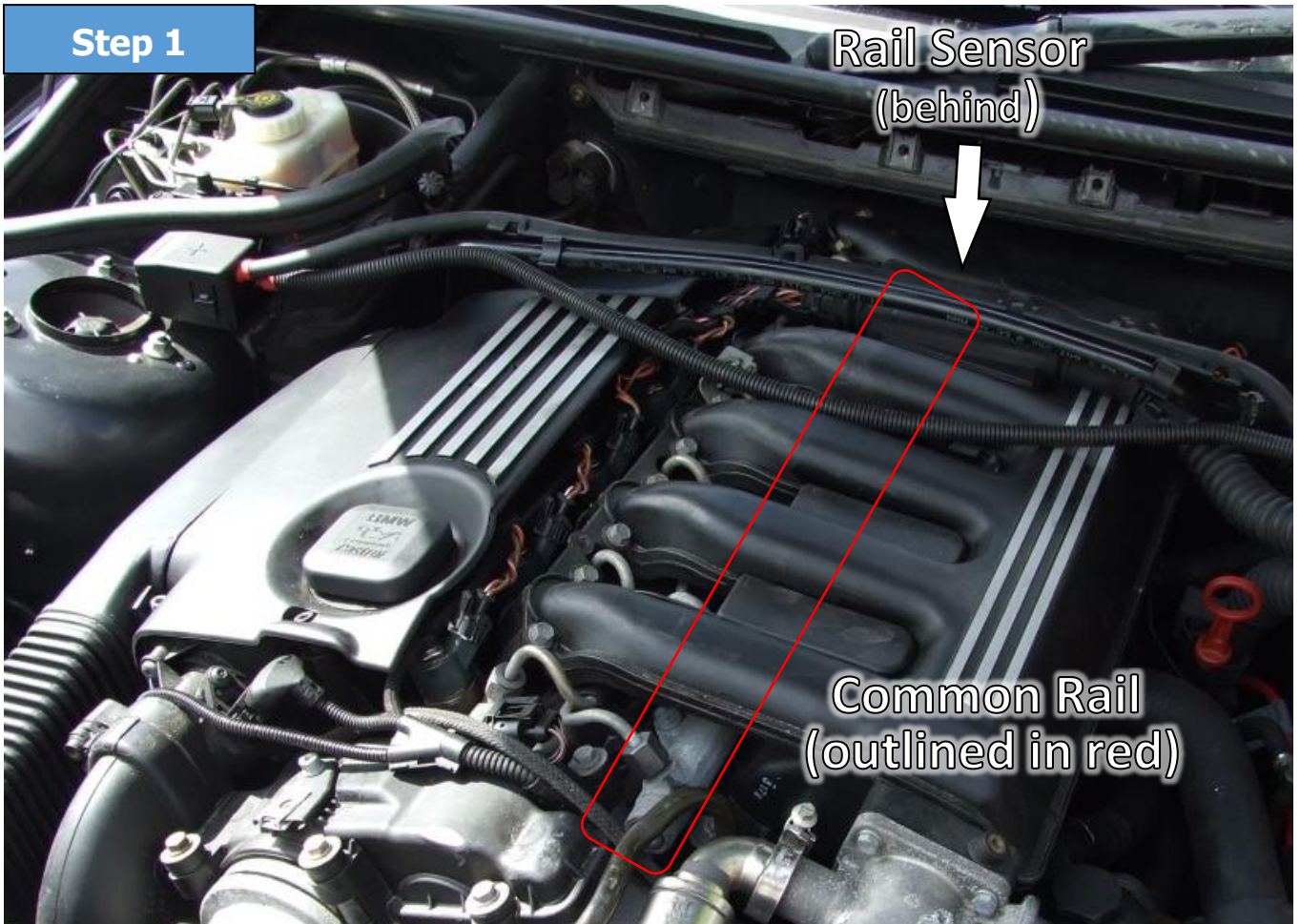
- Ensure that your engine looks similar to the supplied photographs. (minor changes with ancillary components are to be expected, however if the engine looks nothing alike, please contact Support. )
- Familiarise yourself with the locations of the connectors highlighted.
- Make sure that you have a good grasp of the operation of the connector clips and or locking tabs. - If the connectors you are trying to access are in an awkward place, it may be useful to try unplugging (and then re-inserting) a connector on the vehicle which is more easily accessible. Alternatively try plugging together the connectors on the Tuning Module itself.

# Installation Instructions

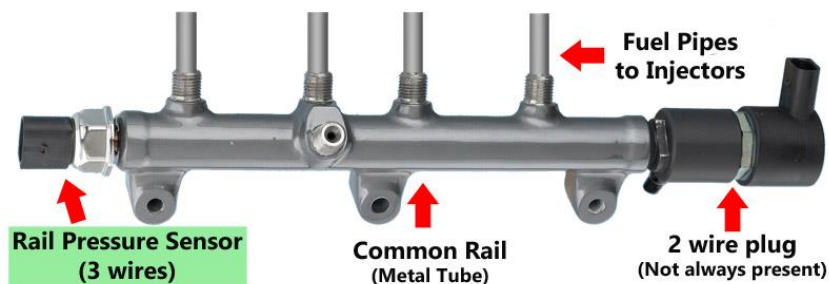
BMW M57 Bosch Engines – Bluespark Pro & CR Tech Units

**Bluespark**  
AUTOMOTIVE

## Step 1



- Remove the plastic engine cover. This usually pulls off with a firm tug. On certain models the cover is secured with bolts. If this is the case, remove the bolts and lift off the engine cover.
- Depending on how tight the access is to the rear of the engine it may be helpful to remove the scuttle tray
- You should be left with an engine that looks similar to the photo above.



*General outlook of the fuel rail in a common rail engine*



# Installation Instructions

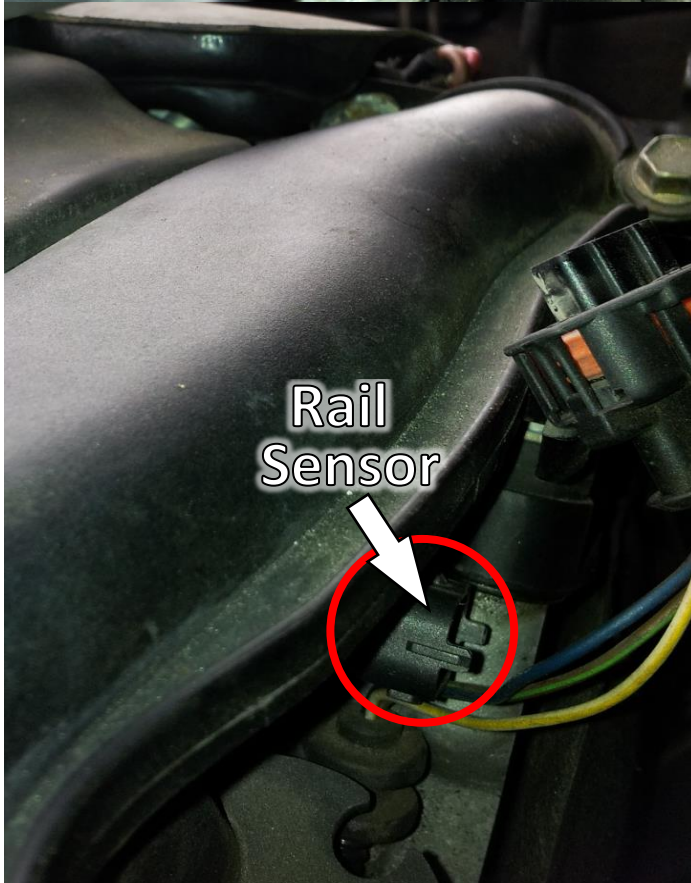
BMW M57 Bosch Engines – Bluespark Pro & CR Tech Units

**Bluespark**  
AUTOMOTIVE

## Step 2



- Unplug the Rail Sensor connector (3 pin) by pressing down the releasing clip and pulling back on the connector
- Insert the connector from the Tuning Module's wiring loom onto the Rail Sensor.
- Insert the Vehicle's Rail Sensor connector into the corresponding connector on the Tuning Module's wiring loom.



# Installation Instructions

BMW M57 Bosch Engines – Bluespark Pro & CR Tech Units

**Bluespark**  
AUTOMOTIVE

- Carefully re-install all engine covers that have been removed during the installation process.



**Route the tuning box wiring harness away from sources of heat (exhaust manifolds, EGR pipes, most stainless steel pipes) and also away from any rotating parts such as belts.**

- Double check all connections are correct and firmly connected. If this is the case, start the vehicle and ensure there are no engine warning lights or error messages displayed.

If everything is as it should be, please feel free to take the vehicle out for a test drive and enjoy the added responsiveness and power added to your vehicle by the Tuning Module.